

40G QSFP+ Active Optical Cable TSQS-8540G-xxxC

Features

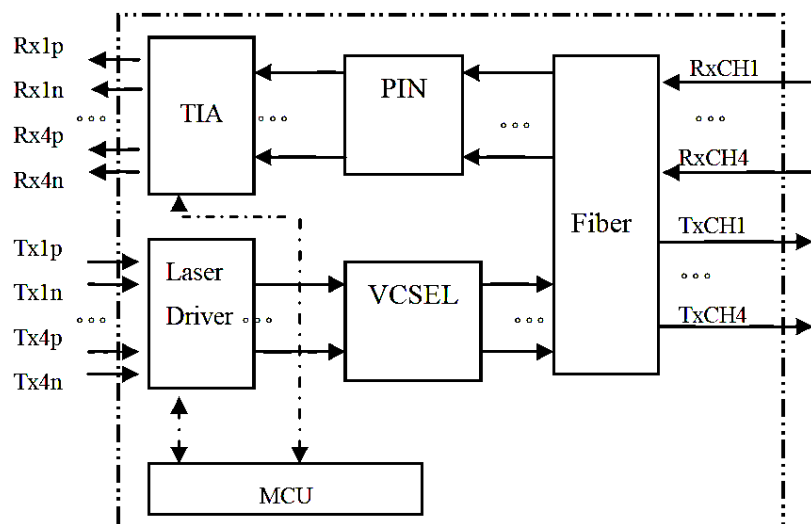
- Four-channel full-duplex active optical cable with QSFP+ plugs
- Electrical interface compliant to SFF-8436
- Support 40GE data rate
- Hot Pluggable
- Built-in digital diagnostic functions
- Low power dissipation: <1.5W
- Operating case temperature 0°C to 70°C
- RoHS compliant



Applications

- 40G Ethernet
- Data Centers
- Infiniband transmission
- High performance computing (HPC) application

Module Block Diagram



Absolute Maximum Ratings

Parameter	Symbol	Min	Max	Unit
Storage Temperature	TS	-20	85	°C
Relative Humidity	RH	0	85	%
Case Operating Temperature	TCase	0	70	°C
Supply Voltage	VCC	-0.5	3.6	V

Recommended Operating Conditions

Parameter	Symbol	Min	Typical	Max	Unit
Case Operating Temperature	TCase	0	-	70	°C
Supply Voltage	VCC	3.15	3.3	3.45	V
Differential Data Input Voltage Per Lane	Vdin	200	-	1200	mVp-p
Data Rate Per Lane	DR	2.5	10.3125	-	Gbit/s

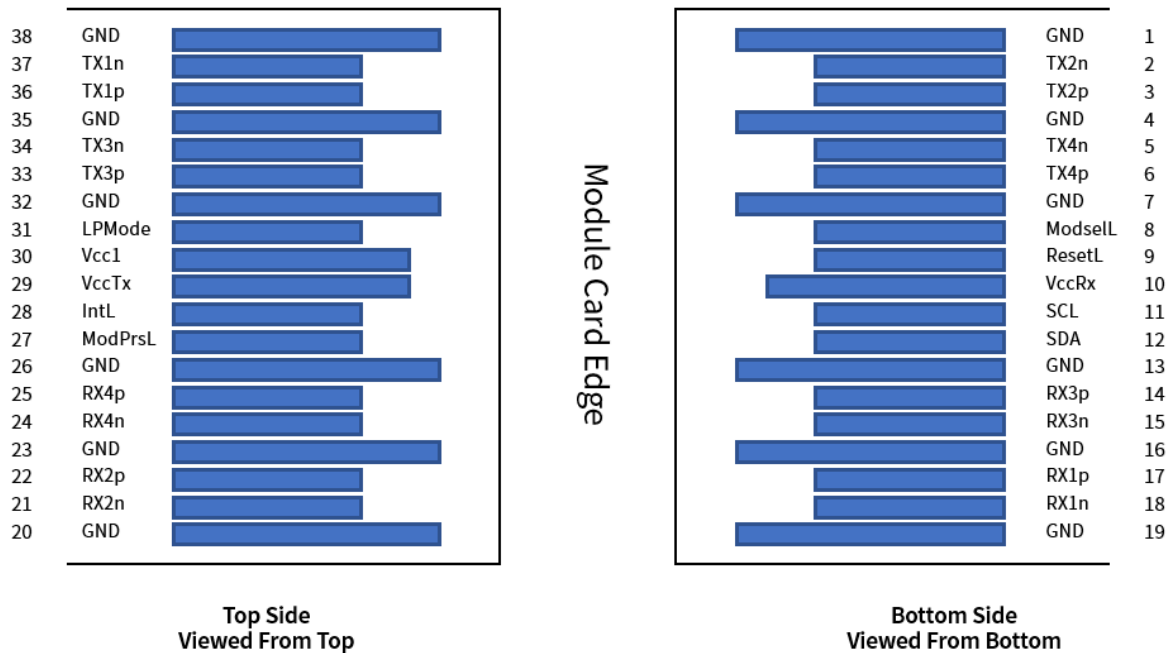
Electrical Characteristics

Parameter	Symbol	Min	Typical	Max	Unit
Bit Error Ratio	BER	-	-	10^{-12}	-
Differential Data Output Voltage Per Lane	V _{dout}	320	450	-	mVp-p
Differential Termination Resistance	Z _{out}	80	100	120	Ohm
Module Total Power	P	-	-	1.5	W
Transmit Turn-On Time	-	2000	-	-	ms

Note:

1.Test with PRBS31 pattern

Pin Descriptions



Pin Definitions

Pin	Symbol	Name/Description
1	GND	Ground
2	Tx2n	Transmitter Inverted Data Input
3	Tx2p	Transmitter Non-Inverted Data Input
4	GND	Ground
5	Tx4n	Transmitter Inverted Data Input
6	Tx4p	Transmitter Non-Inverted Data Input
7	GND	Ground
8	ModSelL	Module Select
9	ResetL	Module Reset
10	Vcc Rx	+3.3 V Power supply receiver
11	SCL	2-wire serial interface clock
12	SDA	2-wire serial interface data
13	GND	Ground
14	Rx3p	Receiver Non-Inverted Data Output
15	Rx3n	Receiver Inverted Data Output
16	GND	Ground

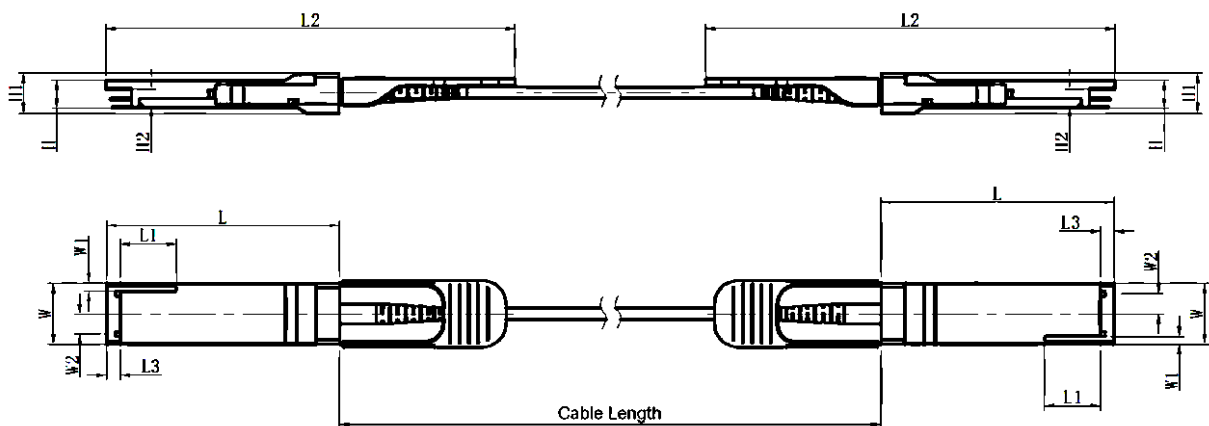
Information and specifications are subject to change without notice.
Please visit www.china-tscom.com for more information

8 Jinxiu Middle Road, Pingshan, Shenzhen, Guangdong, 518118, P. R. China
+86 755 32983688 | info@china-tscom.com | www.china-tscom.com



17	Rx1p	Receiver Non-Inverted Data Output
18	Rx1n	Receiver Inverted Data Output
19	GND	Ground
20	GND	Ground
21	Rx2n	Receiver Inverted Data Output
22	Rx2p	Receiver Non-Inverted Data Output
23	GND	Ground
24	Rx4n	Receiver Inverted Data Output
25	Rx4p	Receiver Non-Inverted Data Output
26	GND	Ground
27	ModPrsL	Module Present
28	IntL	Interrupt
29	Vcc Tx	+3.3 V Power supply transmitter
30	Vcc1	+3.3 V Power Supply
31	LPMode	Low Power Mode
32	GND	Ground
33	Tx3p	Transmitter Non-Inverted Data Input
34	Tx3n	Transmitter Inverted Data Input
35	GND	Ground
36	Tx1p	Transmitter Non-Inverted Data Input
37	Tx1n	Transmitter Inverted Data Input
38	GND	Ground

Mechanical Specifications



Unit: mm

Information and specifications are subject to change without notice.
Please visit www.china-tscom.com for more information

8 Jinxiu Middle Road, Pingshan, Shenzhen, Guangdong, 518118, P. R. China
+86 755 32983688 | info@china-tscom.com | www.china-tscom.com



	L	L1	L2	L3	W	W1	W2	H	H1	H2
MAX	72.2	-	122	4.35	18.45	-	6.2	8.6	12.0	5.35
Typical	72.0	-	-	4.20	18.35	-	-	8.5	11.8	5.2
MIN	68.8	16.5	118	4.05	18.25	2.2	5.8	8.4	11.6	5.05

Ordering Information

Part Number	Product Description
TSQS-8540G-xxxC	QSFP+ 40G AOC 0°C ~ +70°C

xxx = denotes the AOC length with unit meter. For example, 001 denote 1m, 002 denote 2m ... 099 denote 99m.

Important Notice

Performance figures, data and any illustrative material provided in this data sheet are typical and must be specifically confirmed in writing by T&S before they become applicable to any particular order or contract. In accordance with the T&S policy of continuous improvement specifications may change without notice. The publication of information in this data sheet does not imply freedom from patent or other protective rights of T&S or others. Further details are available from any T&S sales representative.