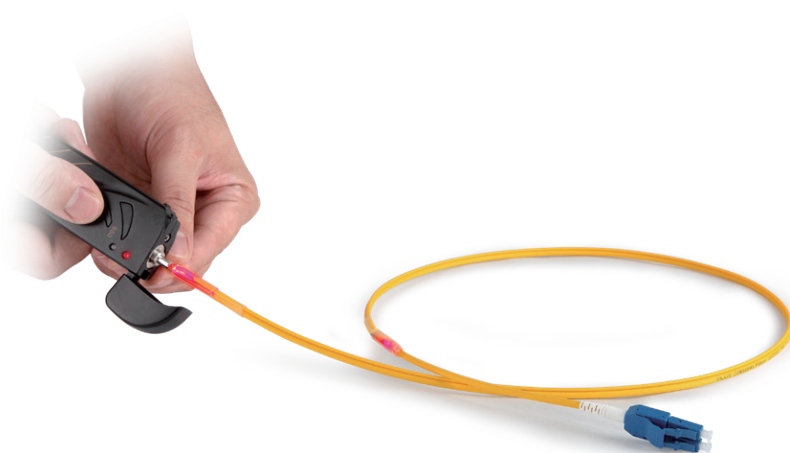


Traceable Fiber Patch Cord



Description

The Traceable Fiber Patch Cord is designed to eliminate interconnect errors in high-density environments by enabling quick and accurate end-to-end identification. Integrated with a dedicated plastic optical fiber (POF) for light-based indication, it allows technicians to easily locate the corresponding fiber at the remote end.

The solution operates without batteries, using a portable visual fault locator (VFL) for light injection, enabling simple, reliable, and maintenance-free operation. It is ideal for complex cabling scenarios such as data centers, central offices, and fiber distribution hubs, supporting both intra-rack and inter-rack connections.

Features

- Integrated light-tracing via dedicated POF for end-to-end identification
- Enables fast and accurate remote-end fiber location
- High-precision connectors with stable optical performance
- Available with UPC or APC end face polish
- Supports LC, SC, FC, ST, MU and other connector types
- 100% factory terminated and tested for performance consistency
- Customizable cable length and configuration options

Benefits

- Eliminates interconnect errors in high-density environments
- Reduces installation, maintenance, and troubleshooting time
- Simplifies cross-connect operations and deployment
- Improves efficiency in MAC (moves, adds, changes) scenarios

Standards Compliance

- TIA-568.3-D
- TIA-604 Series
- IEC 61754 Series
- IEC 61753-1
- Telcordia GR-326-CORE
- RoHS Compliant



General Specification

Constructions	Descriptions
Fiber Count	1-16
Fiber Mode	Single-mode: G.652/G.657
	Multimode: OM1/OM2/OM3/OM4
Cable Jacket Material	Low Smoke Zero Halogen (LSZH)
	PVC
Cable Jacket Ratings	Riser (OFNR)
	Plenum (OFNP)
Cable Jacket Color	G.652/G.657: Yellow
	OM1/OM2: Orange
	OM3: Aqua
	OM4: Aqua/Magenta
	Customized
Polarity	Type A, Type B (TIA-568.3-D)
Connector Type	FC, SC, LC, MU, ST, MTRJ, SMA etc.
Endface Polish	PC/UPC/APC
Operating Temperature	-10 °C to +60 °C
Storage Temperature	-40 °C to +85 °C

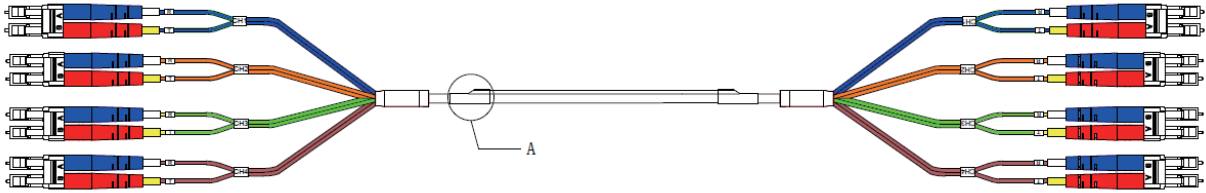
Technical Specification

Optical Properties	Single-mode	Multimode
Insertion Loss (dB)	UPC \leq 0.2; APC \leq 0.3	UPC \leq 0.2
Return Loss (dB)	UPC \geq 50; APC \geq 60	UPC \geq 25
Wavelength (nm)	1310/1550	850/1300
Durability	\leq 0.2 (dB) Typical change, 500 matings	

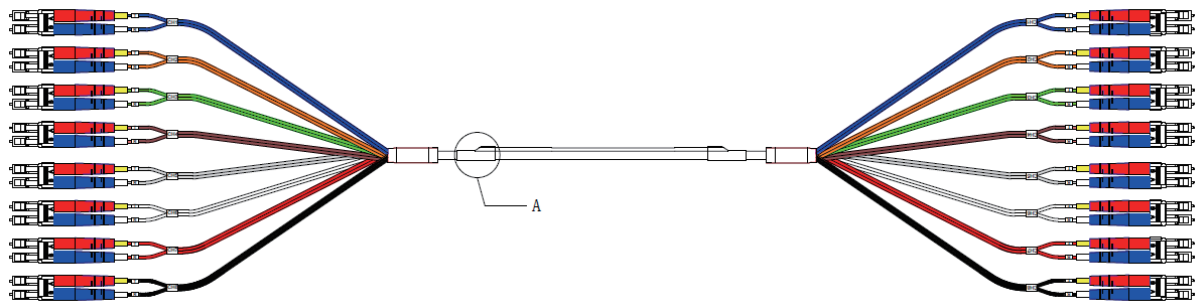
Technical Drawing



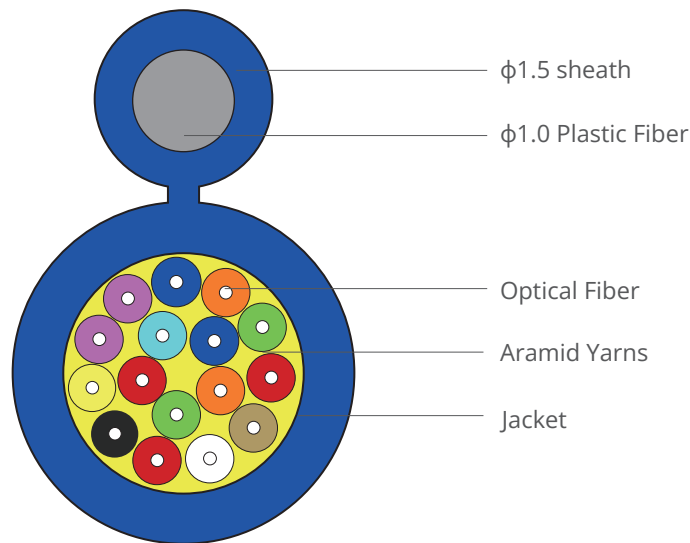
1C,LC/UPC-LC/UPC SMF With POF Patch cord



8C,LC/UPC-LC/UPC SMF With POF Patch cord



16C,LC/UPC-LC/UPC SMF With POF Patch cord



Profile View

