

TSQSQ-PCJ-xxC

100G QSFP28 Direct Attach Cable

Description

QSFP28 Direct Attach Cables are compliant with the SFF-8665 specifications. Various choices of wire gauge are available from 30 to 26 AWG with various choices of cable length (up to 5 m).

Features

- Up to 25.78Gbps data rate per channel
- Up to 5 m transmission
- Hot-pluggable QSFP+ 38 PIN footprint
- Compatible to SFF-8665
- Compliant with IEEE 802.3bj
- Single 3.3V power supply
- Temperature Range: 0 °C to 70 °C
- RoHS compliant



Applications

- Low EMI radiation switches, servers and routers
- Data Center networks
- Storage area networks
- High performance computing
- Telecommunication and wireless infrastructure
- Medical diagnostics and networking
- Test and measurement equipment

Recommended Operation Condition

Parameters	Symbol	Min.	Max.	Unit
Operating Case Temperature	Topc	0	70	degC
Storage Temperature	Tst	-40	85	degC
Relative Humidity (non-condensation)	RS	35	60	%
Supply Voltage	Vcc3	3.135	3.465	V
Voltage on LVTTTL Input	Vilvttl	-0.3	Vcc3+0.2	V
Power Supply Current	Icc3	-	15	mA
Total Power Consumption	Pd	-	0.05	W

Notes:

Stress or conditions exceed the above range may cause permanent damage to the device.

This is a stress rating only and functional operation of the device at these or any other conditions above those listed in the operational sections of this specification is not applied. Exposure to absolute maximum rating conditions for extended periods may affect device reliability.

Frequency Domain

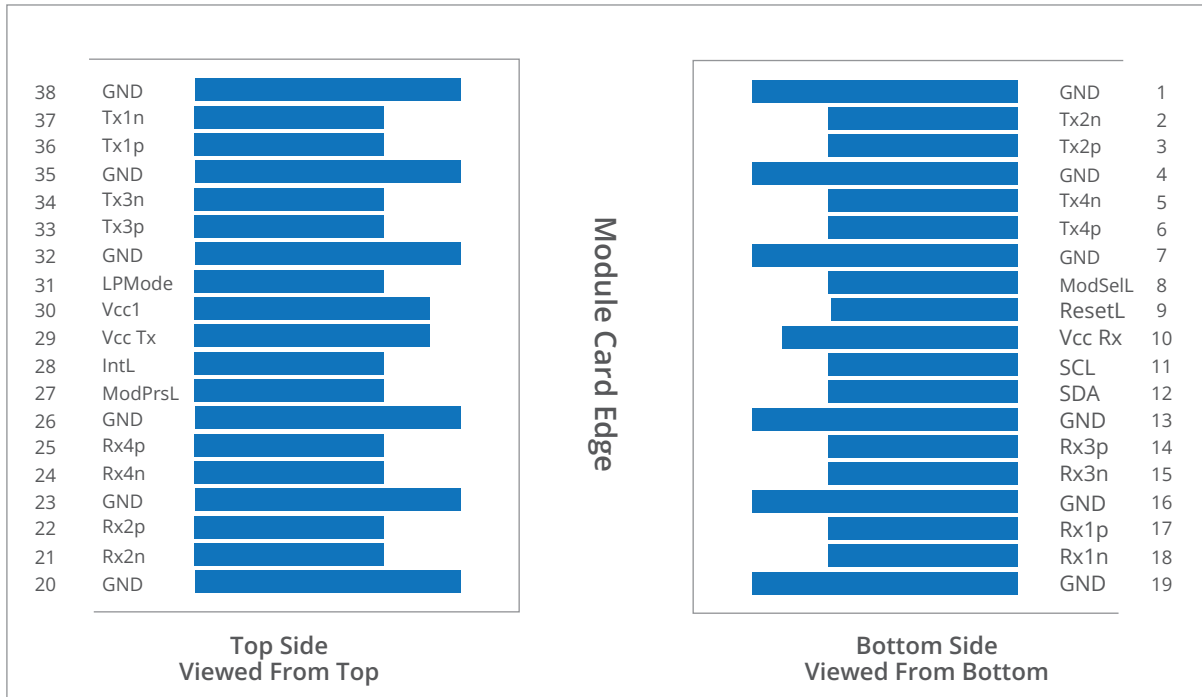
Pin	Symbol	Name/Description
1	Differential Insertion Loss (SDD12)	Maximum insertion loss at 12.8906Ghz @22.48dB Minimum insertion loss at 12.8906Ghz @ 8dB
2	Differential Insertion Loss (SDD21)	Maximum insertion loss at 12.8906Ghz @ 22.48dB Minimum insertion loss at 12.8906Ghz @ 8dB
3	Differential Return Loss (SDD22)	-16.5+2xSQRT(f) @ 0.01 to 4.1GHz -10.66+14xlog ₁₀ f/5.5 @ 4.1 to 19GHz
4	Differential Return Loss (SDD11)	-16.5+2xSQRT(f) @ 0.01 to 4.1GHz -10.66+14xlog ₁₀ f/5.5 @ 4.1 to 19GHz
5	Common Mode Reflection (SCC22)	-2dB @ 0.01 to 19GHz
6	Common Mode Reflection (SCC11)	-2dB @ 0.01 to 19GHz
7	Common Mode Conversion (SCD22)	-22+(20/25.78)*(f) @ 0.01 to 12.89GHz -15+(6/25.78)*(f) @ 12.9 to 19GHz
8	Common Mode Conversion (SCD11)	-22+(20/25.78)*(f) @ 0.01 to 12.89GHz -15+(6/25.78)*(f) @ 12.9 to 19GHz
9	Differential to Common Mode Conversion Loss (SCD12)	-10dB @ 0.01 to 12.89GHz -27+(29/22)*(f) @ 12.9 to 15.7GHz -6.3dB @ 15.71 to 19GHz
10	Differential to Common Mode Conversion Loss (SCD21)	-10dB @ 0.01 to 12.89GHz -27+(29/22)*(f) @ 12.9 to 15.7GHz -6.3dB @ 15.71 to 19GHz

Pin Definition

Pin	Symbol	Name/Description
1	GND	Ground
2	Tx2n	Transmitter Inverted Data Input
3	Tx2p	Transmitter Non-Inverted Data Input
4	GND	Ground
5	Tx4n	Transmitter Inverted Data Input
6	Tx4p	Transmitter Non-Inverted Data Input
7	GND	Ground
8	ModSelL	Module Select
9	ResetL	Module Reset
10	Vcc Rx	+3.3V Power supply receiver
11	SCL	2-wire serial interface clock

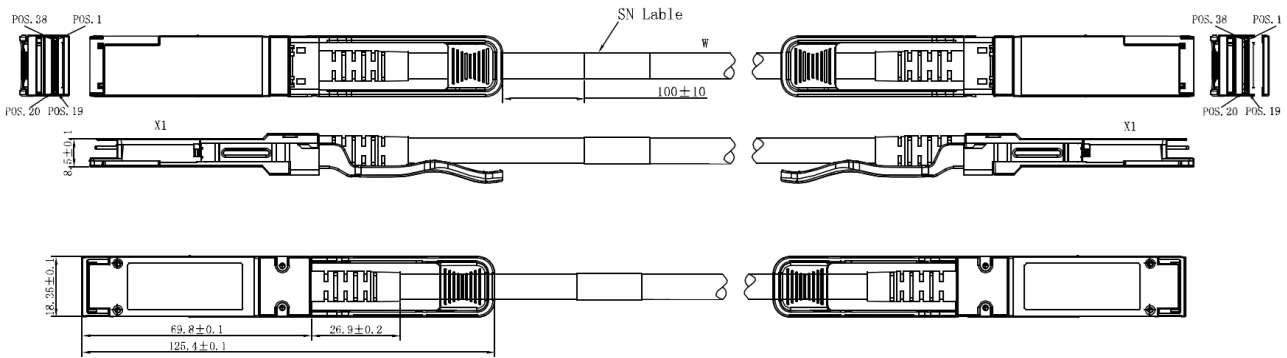
12	SDA	2-wire serial interface data
13	GND	Ground
14	Rx3p	Receiver Non-Inverted Data Output
15	Rx3n	Receiver Inverted Data Output
16	GND	Ground
17	Rx1p	Receiver Non-Inverted Data Output
18	Rx1n	Receiver Inverted Data Output
19	GND	Ground
20	GND	Ground
21	Rx2n	Receiver Inverted Data Output
22	Rx2p	Receiver Non-Inverted Data Output
23	GND	Ground
24	Rx4n	Receiver Inverted Data Output
25	Rx4p	Receiver Non-Inverted Data Output
26	GND	Ground
27	ModPrsL	Module Present
28	IntL	Interrupt
29	Vcc Tx	+3.3V Power supply transmitter
30	Vcc1	+3.3V Power Supply
31	LPMODE	Low Power Mode
32	GND	Ground
33	Tx3p	Transmitter Non-Inverted Data Input
34	Tx3n	Transmitter Inverted Data Input
35	GND	Ground
36	Tx1p	Transmitter Non-Inverted Data Input
37	Tx1n	Transmitter Inverted Data Input
38	GND	Ground

Pin Definition



Mechanical Dimensions

The connector is compatible with the SFF-8432 specification.



Mechanical Specifications

Parameters	Min.	Typical	Max.	Unit
Cable Diameter (26AWG)	-	0.220	-	Inches
Bend Radius (26AWG)	1.102	-	-	Inches
Cable Diameter (28AWG)	-	0.185	-	Inches
Bend Radius (28AWG)	0.925	-	-	Inches
Cable Diameter (30AWG)	-	0.181	-	Inches
Bend Radius (30AWG)	0.906	-	-	Inches
Within Pair Skew	-	-	100	ps/10m

Cable Insertion Loss	-	15.43	-	dB/5m
Bulk Cable Time Delay	-	-	5.2	ns/m
Bulk Cable Impedance	95	100	105	Ohms
Insertion Force	-	-	40	N
Withdrawal Force	-	-	30	N
Retention Force	90	-	-	N
Durability	50 Cycles	-	-	-

Ordering Information

P/N	Length	Data Rate	AWG	Length Tolerance
TSQSQ-PCJ-01C	1 m	100G	28/30	+3.5/-3.5 cm
TSQSQ-PCJ-02C	2 m	100G	28/30	+3.5/-3.5 cm
TSQSQ-PCJ-03C	3 m	100G	28/30	+4/-4 cm
TSQSQ-PCJ-05C	5 m	100G	26	+6/-6 cm