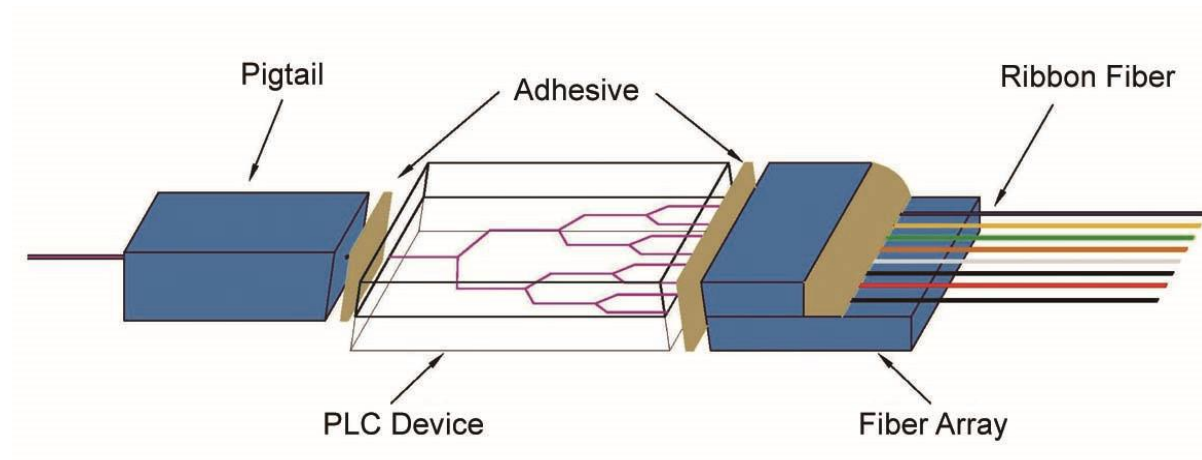


PLC Splitter



Introduction

PLC-Planar Light wave Circuit Splitter is a kind of power splitter based on the integrated quartz baseplate. Single Mode PLC 1×N and 2×N Splitter divide uniformly optical signals from one or two inputs to multiple outputs, and splitter can be operated in reverse direction to combine multiple signals into fiber or two fibers.



Feature

- Broadband Operation Wavelength
- Low Insertion loss
- Low PDL
- Compact Design
- Good channel-to-channel uniformity
- High Reliability and Stability
- Pass Telcordia GR-1209-Core Reliability Test
- Pass Telcordia GR-1221-Core Reliability Test
- RoHS Compliance

Applications

- Telecommunication sector
- PON System
- FTTH
- CATV
- Video Transmission

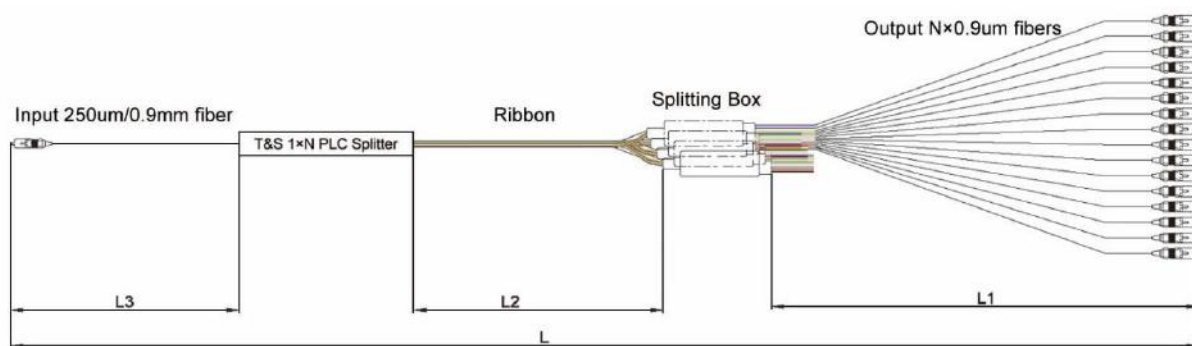
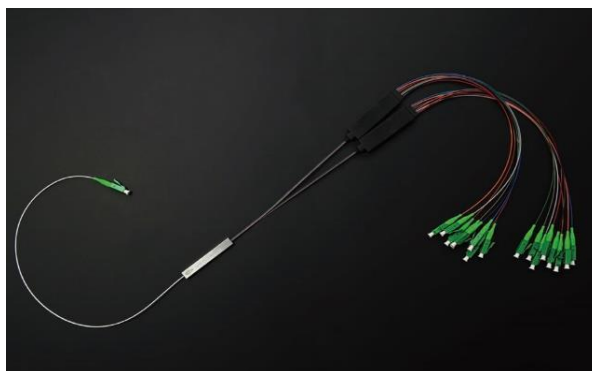
Technical Specification

Item		Unit	Parameter						
Operating Wavelength		(nm)	1260 ~ 1650						
1×N PLC Splitter		--	1×2	1×4	1×8	1×16	1×32	1×64	1×128
Insertion Loss	MAX(P/S)	(dB)	3.8/4.0	7.0/7.4	10.5/10.7	13.6/13.9	16.6/16.9	21/21.5	24/24.5
Uniformity	MAX(P/S)	(dB)	0.6/0.6	0.6/0.7	0.8/1.0	0.9/1.2	1.2/1.4	1.7/1.9	2.2/2.5
Return Loss	MIN	(dB)	55						
PDL	MAX(P/S)	(dB)	0.15/0.25	0.15/0.25	0.2/0.25	0.2/0.3	0.25/0.3	0.25/0.35	0.4/0.45
2×N PLC Splitter		--	2×2	2×4	2×8	2×16	2×32	2×64	--
Insertion Loss	MAX(P/S)	(dB)	4.0/4.3	7.4/7.6	10.7/11.0	14/14.5	17.5/18	21.4/21.9	--
Uniformity	MAX(P/S)	(dB)	0.9/1.1	1.0/1.2	1.0/1.2	1.2/1.5	1.5/1.8	2.0/2.3	--
Return Loss	MIN	(dB)	55						
PDL	MAX(P/S)	(dB)	0.25/0.3	0.25/0.3	0.25/0.3	0.3/0.35	0.3/0.35	0.35/0.4	--
Fiber Type		--	ITU-T G657A1 , G657A2						
Temperature Stability(-40~85 °C)	MAX	(dB)	0.5(Typical 0.3)						
Operating Temperature		(°C)	-40 ~ 85						
Storage Temperature		(°C)	-40 ~ 85						

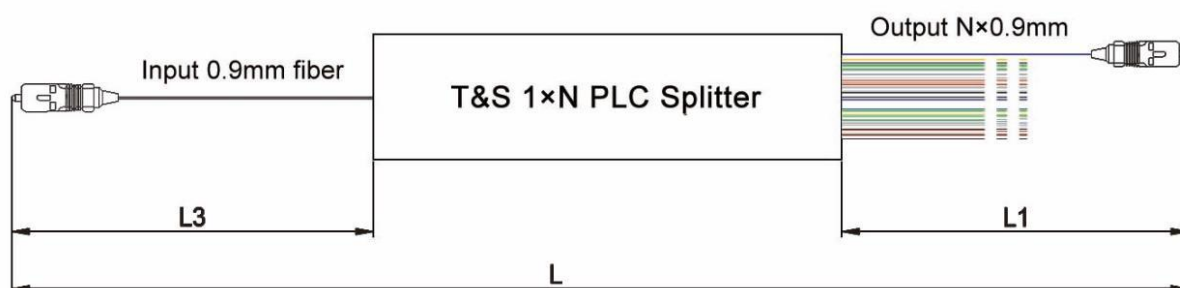
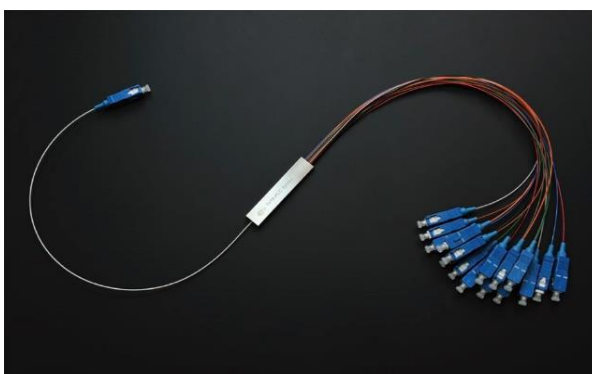
All measurements are made at room temperature, and connectors not included

PLC Splitter Type and Packaging

I -- Basic PLC Splitter(Bare ribbon type)



II-- Mini Module Type PLC Splitter

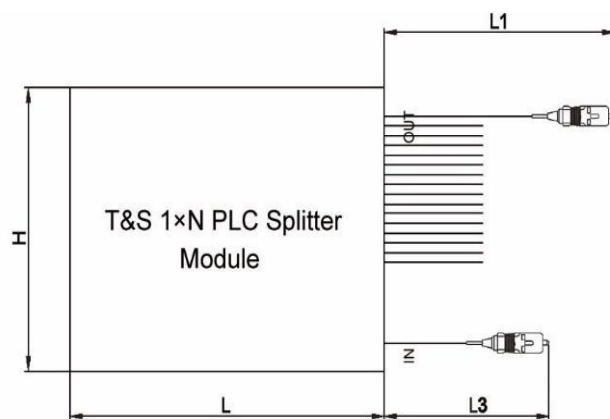


Information and specifications are subject to change without notice.
Please visit www.china-tscom.com for more information

8 Jinxiu Middle Road, Pingshan, Shenzhen, Guangdong, 518118, P. R. China
+86 755 32983688 | info@china-tscom.com | www.china-tscom.com



III-- Module Box Type



Splitter Packaging Type and Dimension

1xN Splitter

Package Type & Size	Unit (mm)	1x2	1x4	1x8	1x16	1x32	1x64
I - Basic packaging metal box	LxWxH	40x4x4	40x4x4	40x4x4	45x5x4	55x7x4	60x12x4
II - Mini module packaging metal box		60x7x4	60x7x4	60x7x4	60x12x4	80x20x6	100x40x6
III - Module packaging plastic box		90x20x10	100x80x10	100x80x10	120x80x18	120x80x18	140x114x18

2xN Splitter

Package Type & Size	Unit (mm)	2x2	2x4	2x8	2x16	2x32	2x64
I - Basic packaging metal box	LxWxH	50x5x4	50x5x4	50x5x4	55x7x4	60x7x4	65x12x4
II - Mini module packaging metal box		65x7x4	65x7x4	65x7x4	80x20x6	80x20x6	100x40x6
III - Module packaging plastic box		90x20x10	100x80x10	100x80x10	120x80x18	140x114x18	140x114x18